

Features:

- Vitreous China
- Less supply
- 12" Rough-in
- 1.6 gpf (6.0 lpf)
- 2 ¼" glazed trap passes a 2" ball
- Includes Sureseal™ tank-to-bowl attaching kit, tank fittings, color-matched plastic tank lever and bolt caps.
- Performance Plus gravity flushing system
- Extra Large 3" Flush Valve
- Precisely Placed Rim Jets
- *Seat not included*



Installed Dimensions: 28"L x 18"W x 30¾"H
 Meets the American Disabilities Act guidelines and ANSI A117.1 requirements when top of seat is installed at 17" –19" from finished floor.

Codes/Standards Applicable:

- IAPMO/UPC
- Fixture dimensions meet ANSI/ASME standard A112.19.2M requirements.
- ISO 9002 CERTIFIED


Available Colors:

- .01 White
- .02 Bone
- .06 Balsa™

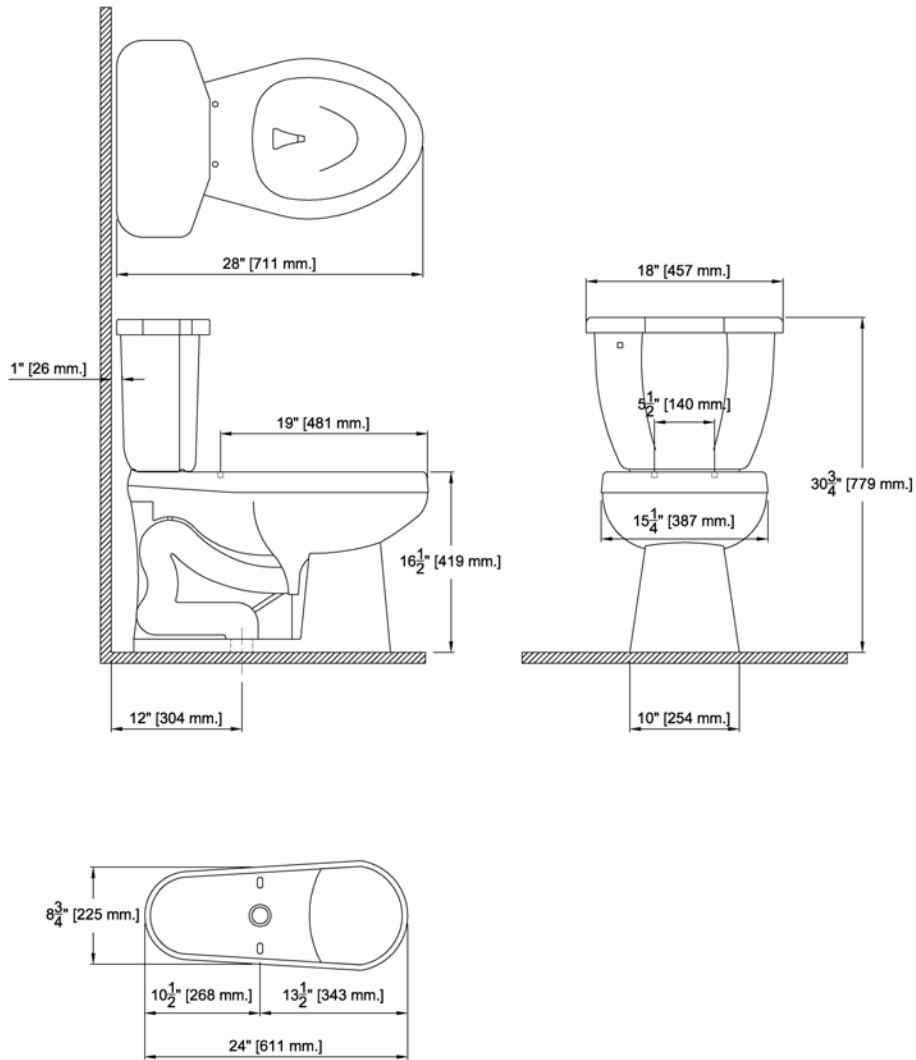
Specified Model

Model	Description	Colors:
6207.030	Chair-height Toilet	<input type="checkbox"/> .01 White <input type="checkbox"/> .02 Bone <input type="checkbox"/> .06 Balsa
Options	Description	
6207.024	Tank w/ left lever	Tank complete with all fittings, left hand tank lever and lid.
6207.034	Tank w/ right lever	Tank complete with all fittings, right hand tank lever and lid.

Product Specification

The 2-piece combination toilet shall be made of vitreous china. Toilet shall be 28" in length x 18" in width x 30¾" in height. Toilet shall have elongated front bowl with a 16½" rim height. Toilet shall have a 12" rough-in. Toilet shall have the Performance Plus flushing system with 1.6 gpf. Toilet shall have 2¼" glazed trapway and be less supply. Toilet shall be Eclipse (a St. Thomas Creations company) Model 6207.030.

Fixture:		Included Components:	
Configuration	2-piece, chair-height elongated front	Bowl	6207.033
Water per flush	1.6 gallons	Tank	6207.024
Passageway	2¼"	Tank Lid	6207.025
Seat post hole centers	5 ½"	Tank Lever	included
Packaging Dimensions:		Weight	
Bowl	28"L x 16"W x 18½"H	62.0	
Tank	18½"L x 9"W x 16"H	25.5	



These measurements are subject to change or cancellation. No responsibility will be assumed for use of superseded or voided pages.