

Features:

- Vitreous china
- Rear overflow
- Faucet deck
- 8" Faucet center
- Clean, classical design
- Enhanced height (over 34" at basin front rim)
- Complete with mounting kit
- Easy installation
- Installed Dimensions: 28¼"L x 22"W x 34¼"H



Codes/Standards Applicable:

IAPMO/UPC
ASME A112.19.2

Available Colors:

- .01 White
- .02 Bone
- .06 Balsa
- .13 Black

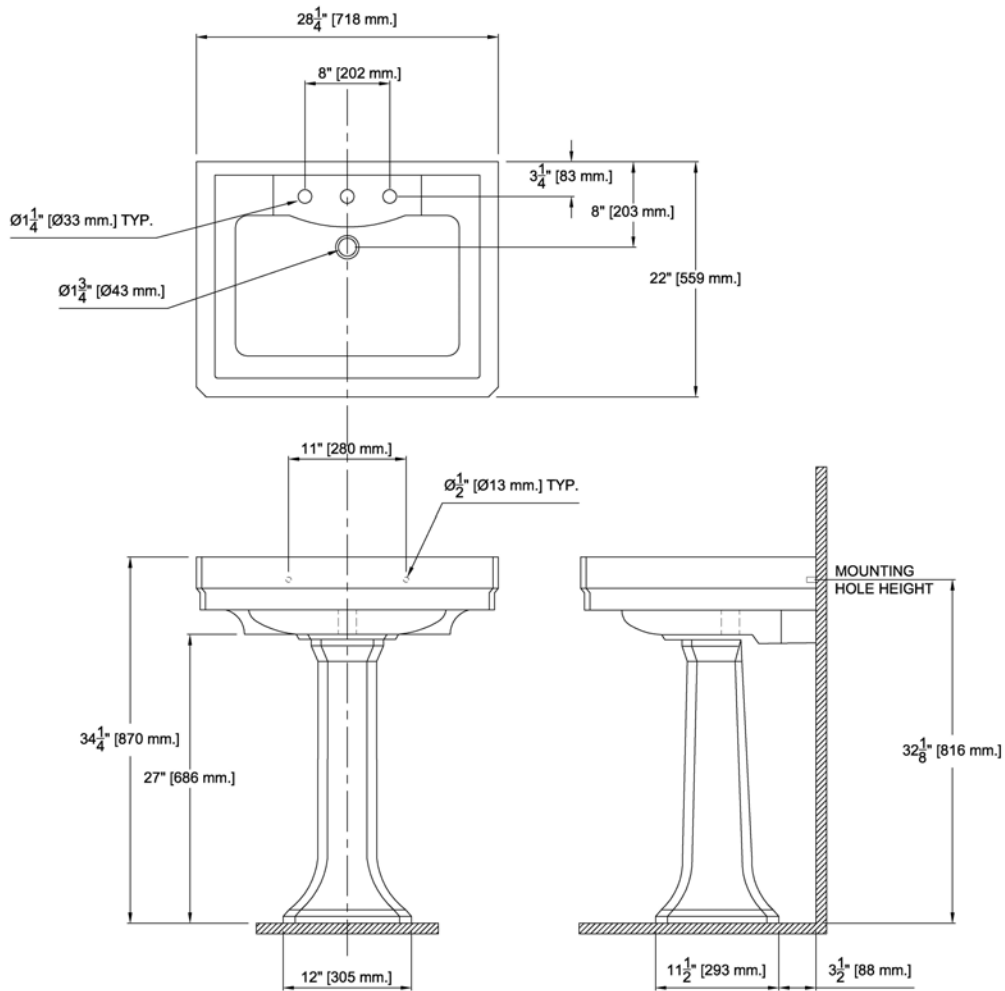
Specified Model

Model	Description	Colors:
5124.080	Pedestal Lavatory	<input type="checkbox"/> .01 White <input type="checkbox"/> .02 Bone <input type="checkbox"/> .06 Balsa <input type="checkbox"/> .13 Black
Accessories:		
Refer to catalog and/or price book for faucet options		

Product Specification:

The Grande pedestal lavatory shall be 28¼" in length, 22" in width, and 34¼" in height. Pedestal lavatory shall be made of vitreous china. Pedestal lavatory shall have 8" centers. Pedestal lavatory shall have rear overflow. Pedestal lavatory shall be St. Thomas Creations model 5124.080.

Fixture:		Included Components:	
		Lavatory	5124.082
		Pedestal	5122.331
Drain Hole	1 3/4"		
Faucet Holes	1 1/4"		
Packaging Dimensions:		Weight:	
Lavatory	30"L x 24"W X 10 1/2"H	51.0	
Pedestal	29"L X 13 1/2"W X 12 1/2"H	26.5	



These measurements are subject to change or cancellation. No responsibility will be assumed for use of superseded or voided pages.